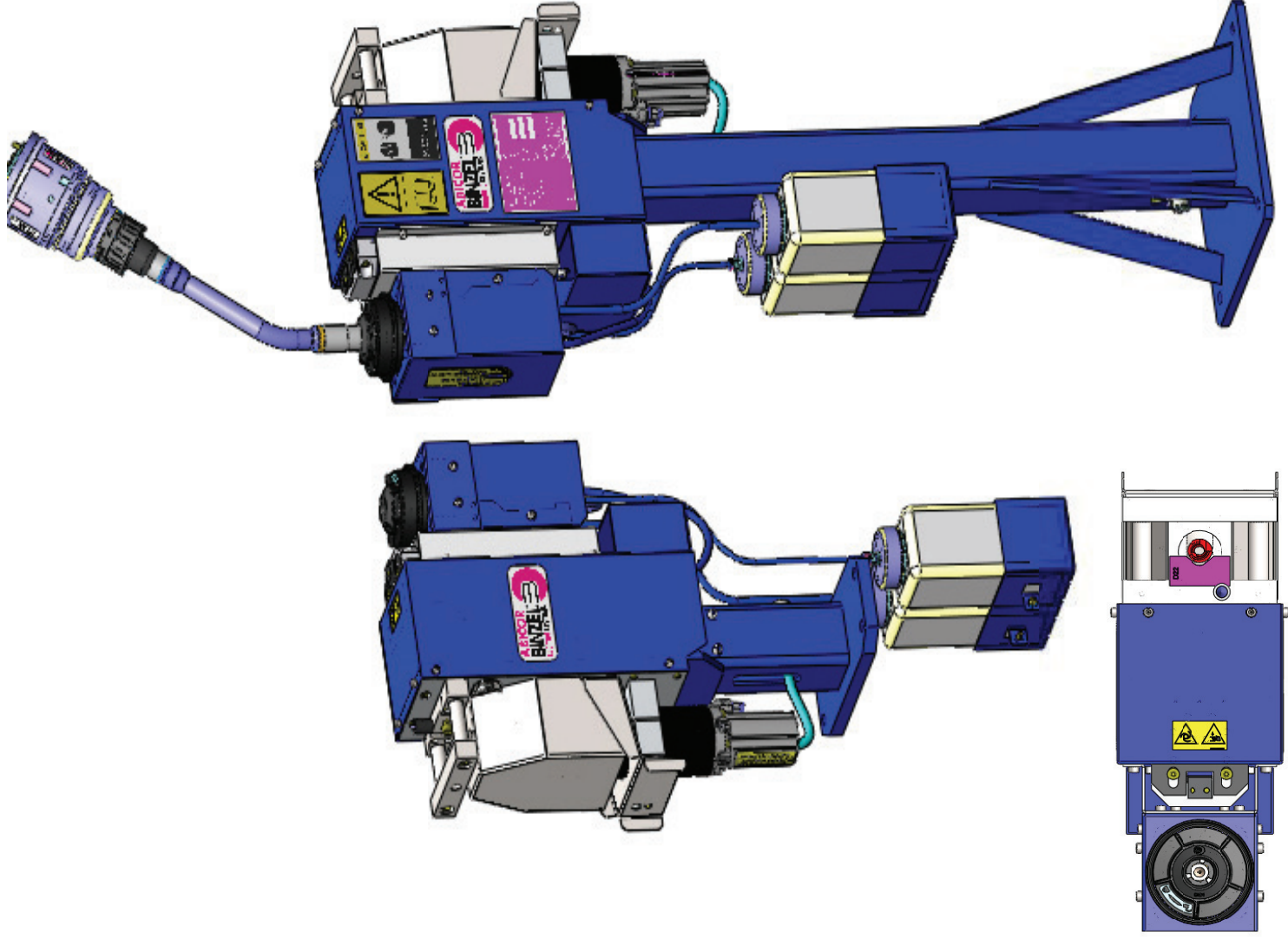


# Cleaning Station

## TCS Compact

- Torch maintenance at it's best
- Quick and easy to install
- Safe and convenience
- Environment Protect
- Apply more



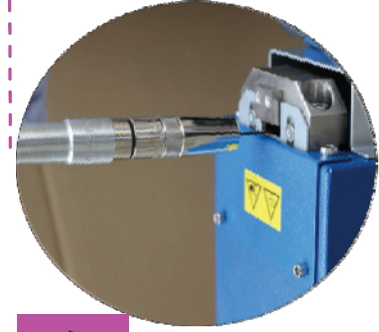


Figure 3:  
Detailed view  
Wire Cutting



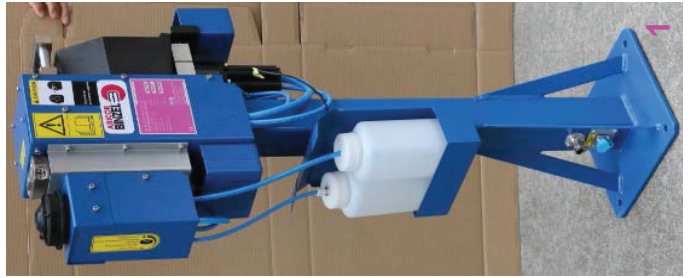
Figure 4:  
Detailed view  
Signal cable and  
press air interface



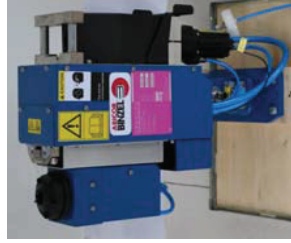
Figure 2:  
Detailed view  
Anti Spatter  
Fluid Injection



Figure 1:  
Detailed view  
Spatter  
Cleaning



1



2



3



4



5



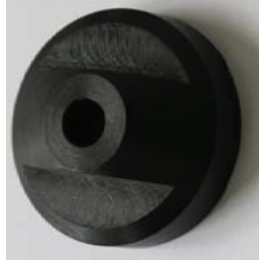
6



7



8



9



10



11



12

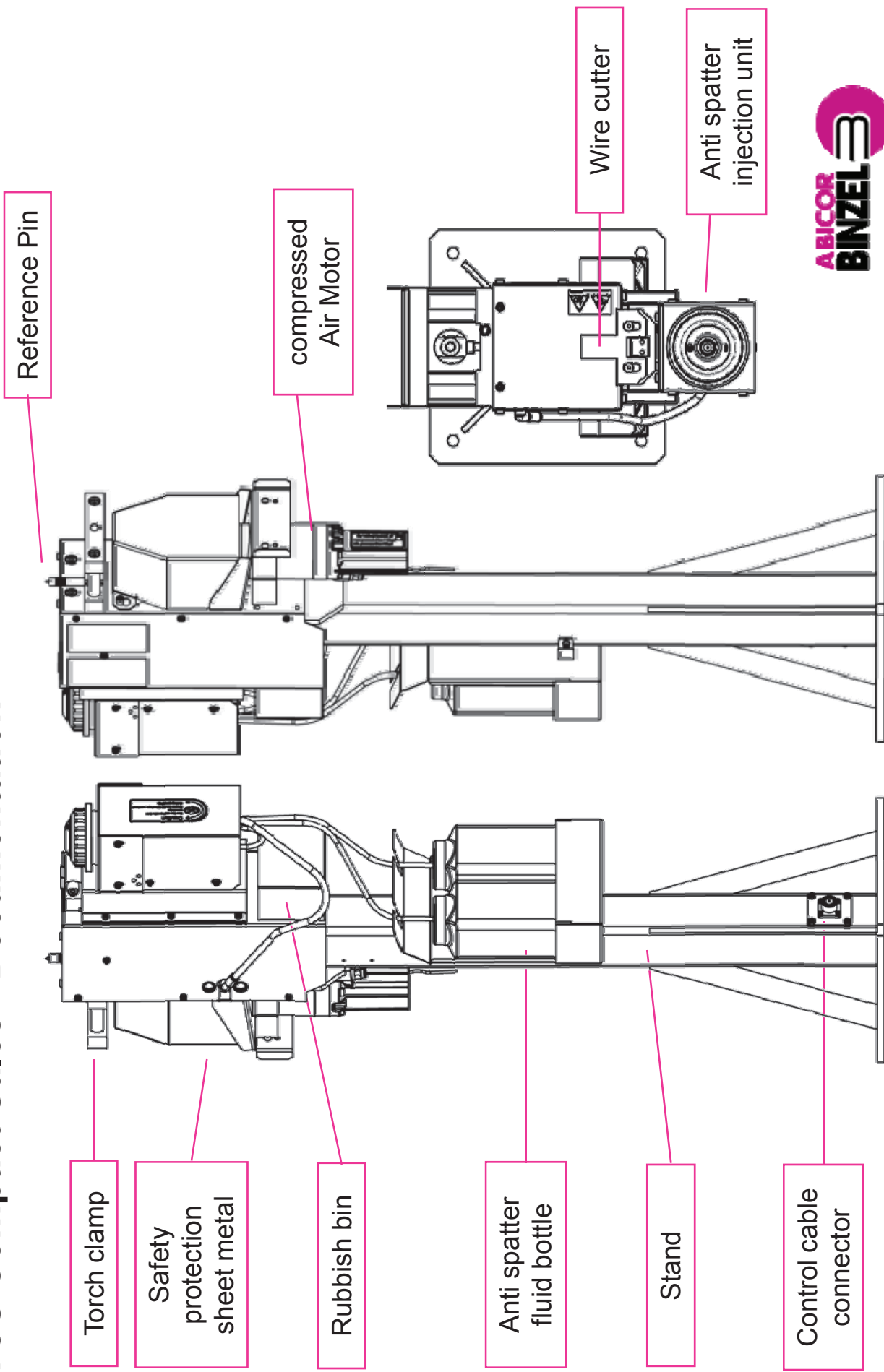


13



14

# TCS Compact Sales - Documentation



## TCS Compact Basic – Technical - Data

### •Technical Data

- Pneumatic equipment**
  - Nominal pressure 6 bar
  - Nominal flow Approx. 500 l/min
  - operating pressure 6 – 8 bar
  - Nominal rotational speed 800 rpm
- Max. Wire size 1.6mm (by 6 bar air pressure)
- Weight 20kg
- Ambient temperature +5° to +50°C
- Protection IP 21
- Electrical equipment**
  - 5/2 way valves**
  - Rated voltage 24 V DC
  - Power consumption 4.5 W (EACU)
  - Relative operating time Continuous duty
- Inductive proximity switch, normally-open contact, (pnp)**
  - Operating voltage 10 to 30 V DC
  - Permitted residual ripple  $V_{pp} < 10\%$
  - Continuous current Max. 200 mA
  - Current consumption Approx. 4 mA (24 V)
  - Voltage drop Approx 1.2 V (200 mA)

